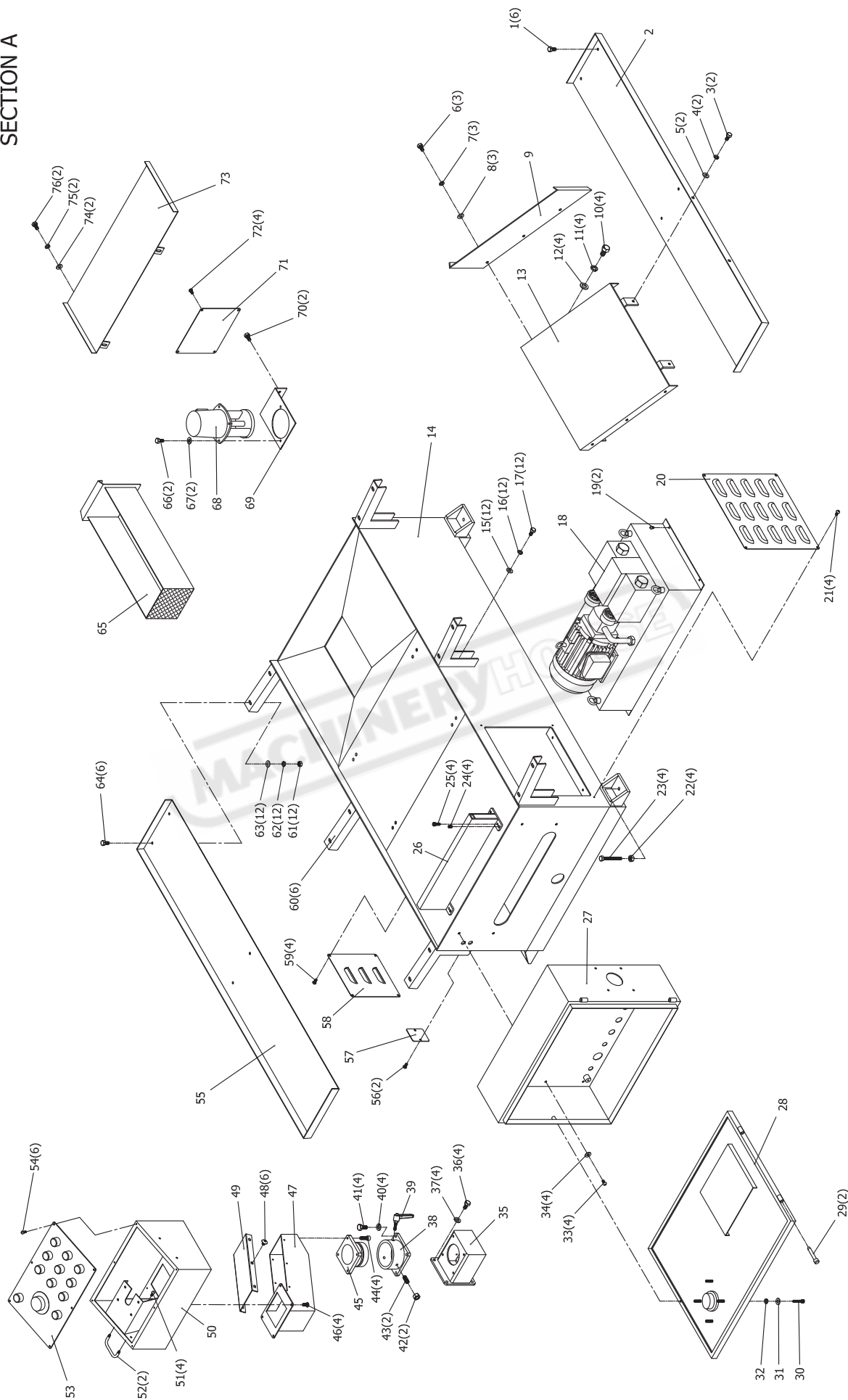


**SECTION A - PARTS LIST**

Part No.	Description	Size / Stock No.	Q'ty	Part No.	Description	Size / Stock No.	Q'ty
A1	Hex. Cap Bolt	M8x20L	6	A48	Big Round Head Screw	M6x8L	6
A2	Coolant Tray	331D3-02	1	A49	Bracket Cover	331D3-36	1
A3	Hex. Cap Bolt	M8x16L	2	A50	Control Box	331D3-08-C	1
A4	Spring Washer	M8	2	A51	Round Head Screw	M5x8L	4
A5	Washer	M8	2	A52	Handle A-42-C	330S0418	2
A6	Hex. Cap Bolt	M8x16L	3	A53	Control Panel		1
A7	Spring Washer	M8	3	A54	Button Head Socket Screw	M5x8L	6
A8	Washer	M8	3	A55	Coolant Tray	331D3-02	1
A9	Lateral Plate	331D3-23-A	1	A56	Hex. Cap Bolt	M6x8L	2
A10	Hex. Cap Bolt	M12x20L	4	A57	Cover	331D3-49	1
A11	Spring Washer	M12	4	A58	Rear Cover	331D3-05-B	1
A12	Washer	M12	4	A59	Button Head Socket Screw	M6x8L	4
A13	Retrieval Table	331D3-23	1	A60	Fixed Bracket	331D3-02-B	6
A14	Base	331D3-01	1	A61	Nut	M8	12
A15	Washer	M8	12	A62	Spring Washer	M8	12
A16	Spring Washer	M8	12	A63	Washer	M8	12
A17	Hex. Cap Bolt	M8x20L	12	A64	Hex. Cap Bolt	M8x20L	6
A18	Hydraulic Unit		1	A65	Chip Tray	331D3-04	1
A19	Hex. Socket Cap Screw	M8x16L	2	A66	Hex. Cap Bolt	M6x12L	2
A20	Front Cover	331D3-05-A	1	A67	Washer	M6	2
A21	Hex. Socket Cap Screw	M6x8L	4	A68	Coolant Pump	1/6"x150L	1
A22	Nut	M12	4	A69	Pump Plate	331D3-39	1
A23	Hex. Cap Bolt	M12x70L	4	A70	Button Head Socket Screw	M6x12L	2
A24	Set Screw	M6x6L	4	A71	Pump Cover	331D3-05	1
A25	Hex. Socket Cap Screw	M6x12L	4	A72	Button Head Socket Screw	M6x8L	4
A26	Support Bracket	331D3-29-A	1	A73	Coolant Tray (Rear)	331D3-03	1
A27	Electrical Cabinet	331D3-06-E	1	A74	Washer	M8	2
A28	Cabinet Cover	331D3-07	1	A75	Spring Washer	M8	2
A29	Latch		2	A76	Hex. Socket Cap Screw	M8x16L	2
A30	Hex. Socket Cap Screw	M6x30L	1				
A31	Spring Washer	M6	1				
A32	Washer	M6	1				
A33	Button Head Socket Screw	M6x16L	4				
A34	Washer	M6	4				
A35	Connect Base	331D3-37	1				
A36	Hex. Cap Bolt	M8x16L	4				
A37	Spring Washer	M8	4				
A38	Swiveling Base	331D1-18-A	1				
A39	Lock Handle M8x30L	331D4-38	1				
A40	Spring Washer	M8	4				
A41	Hex. Cap Bolt	M8x16L	4				
A42	Nut	M8	2				
A43	Set Screw	M8x20L	2				
A44	Hex. Socket Cap Screw	M6x16L	4				
A45	Swiveling Bracket	331D1-18	1				
A46	Button Head Socket Screw	M6x8L	4				
A47	Control Box Bracket	331D3-35	1				

SECTION A



1021030-VI

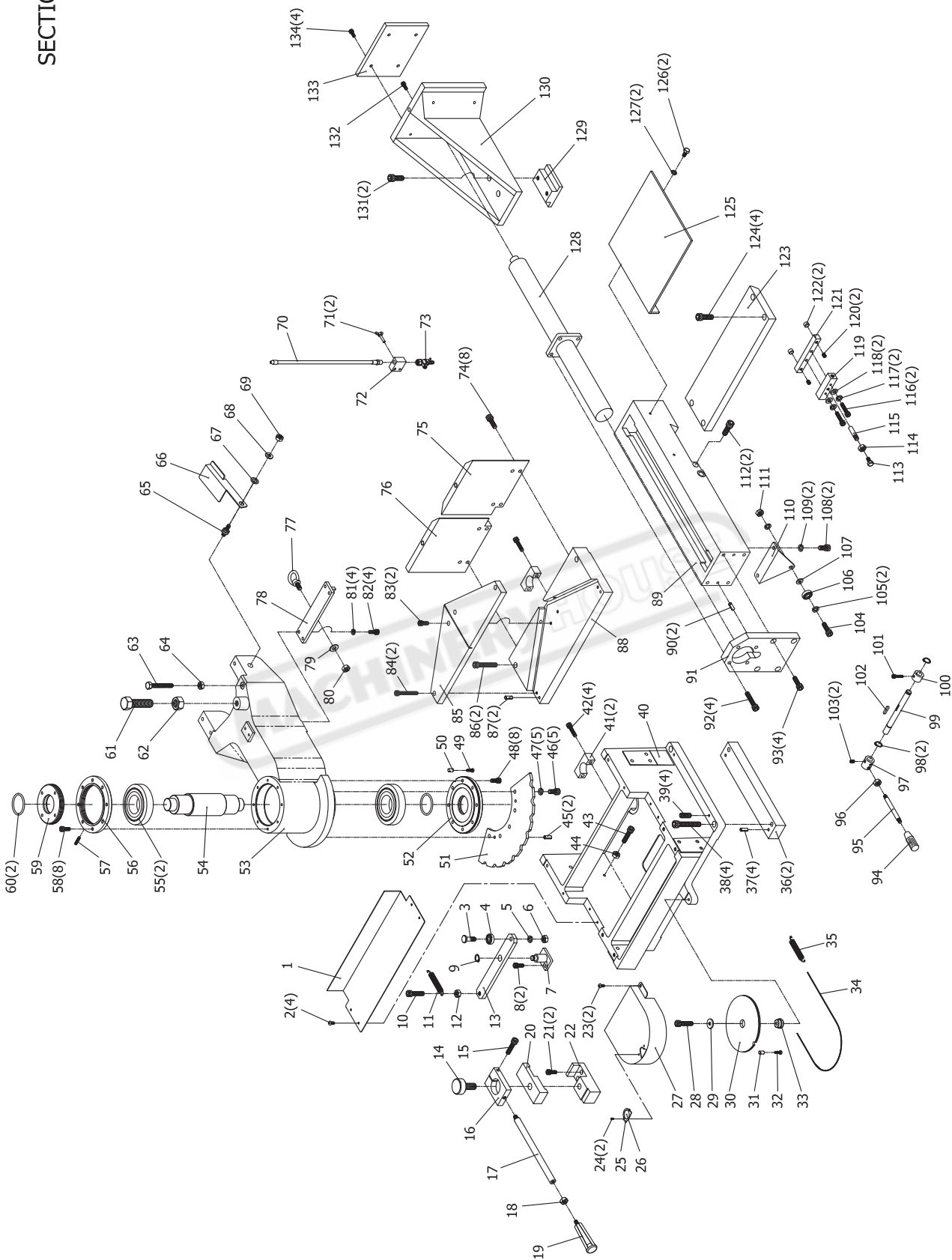
**SECTION B - PARTS LIST**

Part No.	Description	Size / Stock No.	Q'ty	Part No.	Description	Size / Stock No.	Q'ty
B1	Lower Cover	331D3-26-A	1	B48	Hex. Socket Cap Screw	M8x20L	8
B2	Button Head Socket Screw	M5x8L	4	B49	Hex. Cap Bolt	M5x15L	1
B3	Cam Shaft	331D2-31	1	B50	Wire Fastener	331D2-35	1
B4	Bearing 6000	331D5-10A	1	B51	Angle Plate	331D2-25	1
B5	Spring Washer	M10	1	B52	Lower Cover	331D2-05	1
B6	Nut	M10	1	B53	Swiveling Seat	331D1-06	1
B7	Cam Bracket	331D2-30	1	B54	Swiveling Shaft	331D2-03	1
B8	Hex. Socket Cap Screw	M8x25L	2	B55	Bearing 30312	331D5-12	2
B9	C Ring	S16	1	B56	Cover	331D2-06	1
B10	Hex. Socket Cap Screw	M10x40L	1	B57	Set Screw	M6x25L	1
B11	Cam Spring	331D4-02	1	B58	Hex. Socket Cap Screw	M8x20L	8
B12	Nut	M10	1	B59	Tighten Plate	331D2-06-A	1
B13	Connect Plate	331D2-32	1	B60	O Ring	P60	2
B14	Locking Bolt	331D2-27	1	B61	Hex. Cap Bolt	M20x65L	1
B15	Hex. Socket Cap Screw	M10x50L	1	B62	Nut	M20	1
B16	Connect Block	331D2-28	1	B63	Hex. Cap Bolt	M10x60L	1
B17	Handle Shaft	331D2-29	1	B64	Nut	M10	1
B18	Nut	M12	1	B65	Upper Limit Position Screw	S20A2-01	1
B19	Handle	9160501	1	B66	Contact Plate	S20A3-09	1
B20	Angle Setting Block	331D2-26	1	B67	Washer	S138F2-26-A	1
B21	Hex. Socket Cap Screw	M8x20L	2	B68	POM Washer	S138F2-26-B	1
B22	Brake Bracket	331D1-11	1	B69	Nylon Nut	M10	1
B23	Button Head Socket Screw	M6x8L	2	B70	Hose SP105 1/4"x18"	L25A4-14	1
B24	Hex. Socket Cap Screw	M4x6L	2	B71	Swing Screw	M6x30L	2
B25	Magnifier Holder	331D3-43	1	B72	Hose Seat	L46N2-20	1
B26	Angle Magnifier	331D4-09	1	B73	Coolant Switch 1/4x1/4	L25A4-49	1
B27	Cover	331D3-25	1	B74	Hex. Socket Cap Screw	M10x30L	8
B28	Hex. Socket Cap Screw	M10x40L	1	B75	Right Laternal Plate	331D2-24	1
B29	Washer	M10	1	B76	Left Laternal Plate	331D2-23	1
B30	Central Wheel	331D2-33	1	B77	Screw Holder	1/2"	1
B31	Wire Fastener	331D2-35	1	B78	Lower Bracket	331D1-17	1
B32	Hex. Cap Bolt	M5x15L	1	B79	Spring Washer	1/2"	1
B33	Bush	331D2-34	1	B80	Nut	1/2"	1
B34	Steel Rope		1	B81	Spring Washer	M8	4
B35	Extend Spring	331D4-03	1	B82	Hex. Socket Cap Screw	M8x25L	4
B36	Pad	331D2-50	2	B83	Hex. Socket Cap Screw	M8x20L	2
B37	Spring Pin	8x20L	4	B84	Hex. Socket Cap Screw	M8x55L	2
B38	Hex. Socket Cap Screw	M12x70L	4	B85	Cutting Plate	331D1-03	1
B39	Set Screw	M12x30L	4	B86	Hex. Socket Cap Screw	M10x60L	2
B40	Cutting Base	331D1-01	1	B87	Spring Pin	8x20L	2
B41	Fixing Block	331D2-04	2	B88	Cutting Table	331D1-02	1
B42	Hex. Socket Cap Screw	M10x35L	4	B89	Vise Table	331D1-04-A	1
B43	Hex. Socket Cap Screw	M10x40L	1	B90	Spring Pin	8x20L	2
B44	Nut	M10	1	B91	Position Plate	331D2-61	1
B45	Spring Pin	8x20L	2	B92	Hex. Socket Cap Screw	M10x40L	4
B46	Hex. Socket Cap Screw	M10x25L	5	B93	Hex. Socket Cap Screw	M12x25L	4
B47	Spring Washer	M10	5	B94	Long Handle	331D4-26	1



SECTION B

1021030-VI

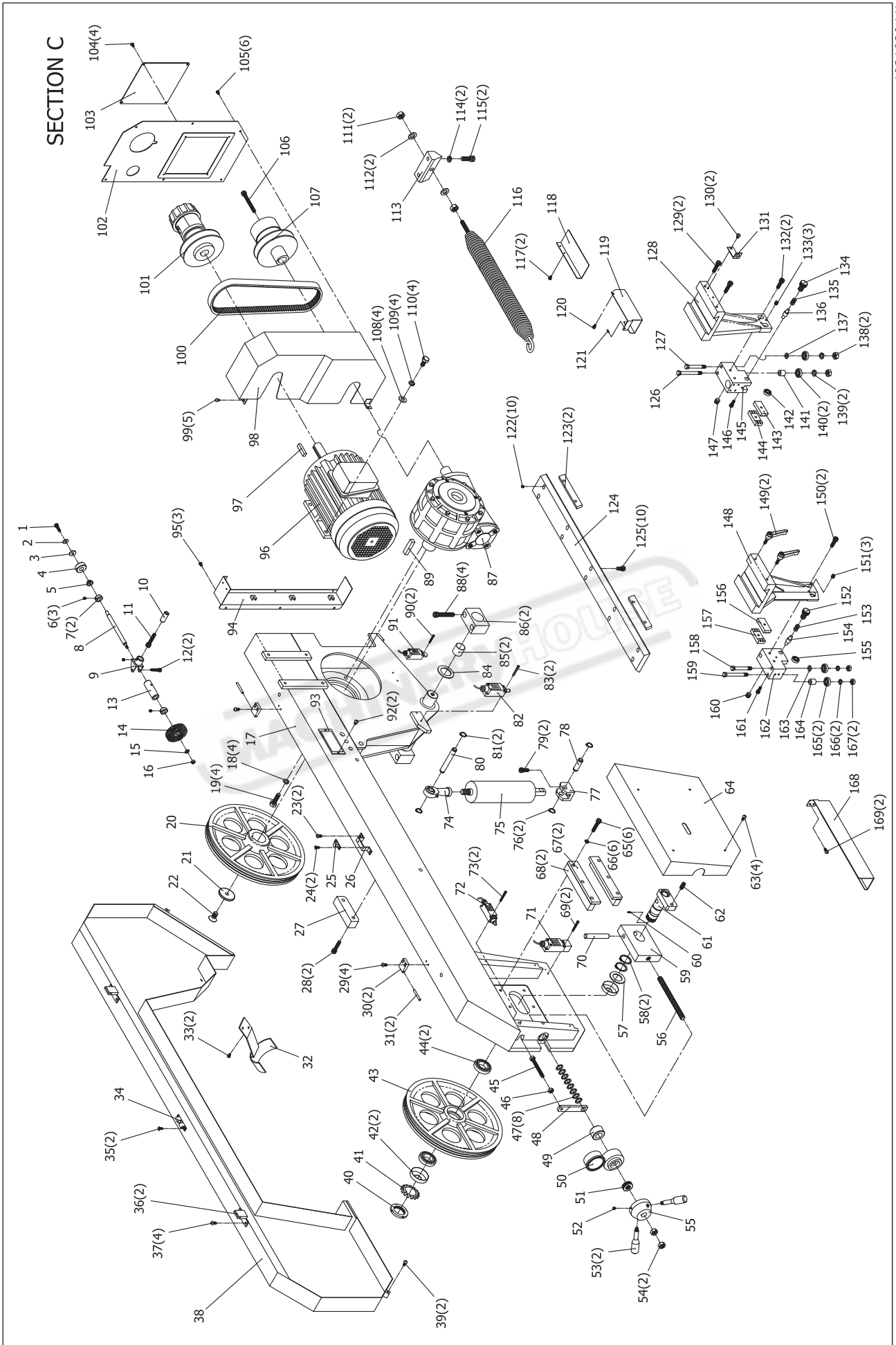


**SECTION C - PARTS LIST**

Part No.	Description	Size / Stock No.	Q'ty	Part No.	Description	Size / Stock No.	Q'ty
C1	Hex. Socket Cap Screw	M6x16L	1	C48	Contact Plate	331D2-48	1
C2	Spring Washer	M6	1	C49	Tension Gauge Spacer	331D2-16-A	1
C3	Shaft Bush	331D2-42-A	1	C50	Tension Gauge	331D5-00B	1
C4	Brush Drive Wheel	331D2-42	1	C51	Thrust Bearing 51203	331D4-18	1
C5	Shaft Bush	331D2-42-A	1	C52	Set Screw	M8x10L	1
C6	Set Screw	M6x6L	3	C53	Handle	W27D0245	2
C7	Position Bush	331D2-41	2	C54	Nut	M16	2
C8	Brush Shaft	331D2-40	1	C55	Handle Wheel	W27D0259	1
C9	Brush Position Bracket	331D3-17	1	C56	Thread Rod	M16	1
C10	Shaft	331D2-43	1	C57	Washer	331D2-12-C	1
C11	Hex. Socket Cap Screw	M8x45L	1	C58	C Ring	S35	2
C12	Hex. Socket Cap Screw	M6x8L	2	C59	Slide Block	331D2-13	1
C13	Shaft Tube	331D2-39	1	C60	Oil Nipple		1
C14	Brush 3"x6.35mm	331D4-08	1	C61	Idle Wheel Shaft Set	331D2-12	1
C15	Spring Washer	M6	1	C62	Set Screw	M12x25L	1
C16	Nut	M6	1	C63	Button Head Socket Screw	M5x8L	4
C17	Saw Frame	331D3-10	1	C64	Idle Wheel Cover	331D3-11	1
C18	Spring Washer	M10	4	C65	Hex. Socket Cap Screw	M10x55L	6
C19	Hex. Cap Bolt	M10x40L	4	C66	Spring Washer	M10	6
C20	Drive Wheel	331D1-13	1	C67	Slide Plate	331D2-15	2
C21	Washer	331D2-49	1	C68	Slide Guide	331D2-14	2
C22	Flat Head Screw	M12x25L	1	C69	Hex. Socket Cap Screw	M4x35L	2
C23	Button Head Socket Screw	M6x12L	2	C70	Steel Pin	14x70L	1
C24	Flat Head Screw	M4x10L	2	C71	Limit Switch AZD-S11	331D5-07	1
C25	Copper Lock	330S0419	1	C72	Limit Switch AZD-1001T	331D5-06	1
C26	Frame Cover Locker	331D3-27	1	C73	Hex. Socket Cap Screw	M4x35L	2
C27	Press Plate (POM)	331D2-55	1	C74	Eye Bearing		1
C28	Hex. Socket Cap Screw	M8x40L	2	C75	Hydraulic Cylinder		1
C29	Button Head Socket Screw	M6x20L	4	C76	C Ring	S16	2
C30	Fixing Block	331D2-44	2	C77	Lower Bracket	331D2-36	1
C31	Pin	14x70L	2	C78	Lower Bracket Shaft	331D2-37	1
C32	Brush Protect Bracket	331D3-14	1	C79	Hex. Socket Cap Screw	M8x20L	2
C33	Button Head Socket Screw	M5x8L	2	C80	Cylinder Support Rod	331D2-38	1
C34	Copper Lock	330S0419	1	C81	C Ring	S16	2
C35	Flat Head Screw	M4x10L	2	C82	Limit Switch AZD-1001T	331D5-06	1
C36	Cover Lock	331D2-45	2	C83	Hex. Socket Cap Screw	M4x35L	2
C37	Button Head Socket Screw	M6x12L	4	C84	Washer	331D2-01-A	1
C38	Frame Cover	331D3-10-A	1	C85	Oilless Bush 4040	331D5-14	2
C39	Button Head Socket Screw	M5x8L	2	C86	Bush Seat	331D2-02-A	2
C40	Shaft Nut	AN07(M35)	1	C87	Gear Reducer	331D4-07	1
C41	Teeth Washer	AW07(M35)	1	C88	Hex. Socket Cap Screw	M12x65L	4
C42	Shaft Cover	331D4-51	2	C89	Key	12x8x50	1
C43	Idle Wheel	331D1-12	1	C90	Hex. Socket Cap Screw	M4x35L	2
C44	Bearing 32007	331D5-13A	2	C91	Limit Switch ED1-3-32	H33D4-11	1
C45	Hex. Cap Bolt	M8x60L	1	C92	Button Head Socket Screw	M5x8L	2
C46	Nut	M8	1	C93	Speed Readout Frame	331D3-18	1
C47	Disc Spring 502225	460D4-09	8	C94	Laternal Plate	331D3-15-A	1

**SECTION C - PARTS LIST**

Part No.	Description	Size / Stock No.	Q'ty	Part No.	Description	Size / Stock No.	Q'ty
C95	Button Head Socket Screw	M5x8L	3	C142	Bearing 6000	331D5-10A	1
C96	Motor	3HP	1	C143	Adjusting Carbide (No Grooved)	331D2-09-A	1
C97	Key	10x8x40	1	C144	Fixed Carbide (No Grooved)	331D2-08-A	1
C98	Pulley Box	331D3-15	1	C145	Blade Guide Block (Rear)	331D1-10	1
C99	Button Head Socket Screw	M5x8L	5	C146	Hex. Socket Cap Screw	M6x16L	1
C100	Variable Speed Belt 1922V433	331D4-06	1	C147	Set Screw	M12x10L	1
C101	Variable Speed (Adjustable )	331D4-05	1	C148	Guide Post (Front)	331D1-07	1
C102	Cover	331D3-16	1	C149	Lock Handle M8x30L	331D4-38	2
C103	Seal Plate	331D3-16-A	1	C150	Hex. Socket Cap Screw	M8x25L	2
C104	Button Head Socket Screw	M5x8L	4	C151	Set Screw	M8x16L	3
C105	Button Head Socket Screw	M5x8L	6	C152	Adjusting Screw	3300209	1
C106	Hex. Socket Cap Screw	M8x65L	1	C153	Adjusting Spring	3300405	1
C107	Variable Speed (Fix)	331D4-05	1	C154	Pin	331D2-59	1
C108	Washer	M8	4	C155	Bearing 6000	331D5-10A	1
C109	Spring Washer	M8	4	C156	Adjusting Carbide (Grooved)	331D2-09	1
C110	Hex. Cap Bolt	M8x30L	4	C157	Fixed Carbide (Grooved)	331D2-08	1
C111	Nut	1/2"	2	C158	Bearing Shaft (Short)	331D2-10-A	1
C112	Spring Washer	1/2"	2	C159	Bearing Shaft (Long)	331D2-10	1
C113	Upper Bracket	S20A1-03	1	C160	Set Screw	M12x10L	1
C114	Spring Washer	M10	2	C161	Hex. Socket Cap Screw	M6x16L	1
C115	Hex. Socket Cap Screw	M10x25L	2	C162	Balde Guide Block (Front)	331D1-09	1
C116	Spring	331D4-01-A	1	C163	Shaft Washer	331D2-10-C	1
C117	Button Head Socket Screw	M5x8L	2	C164	Shaft Bush	331D2-10-B	1
C118	Blade Protector	331D3-48-B	1	C165	Bearing 6200	L25A5-01	2
C119	Blade Protector	331D3-48-A	1	C166	Spring Washer	M10	2
C120	Button Head Socket Screw	M5x8L	1	C167	Nut	M10	2
C121	Spring Pin	4x12L	1	C168	Blade Protector	331D3-12-A	1
C122	Set Screw	M10x16L	10	C169	Button Head Socket Screw	M5x8L	2
C123	Plate	331D2-07-A	2				
C124	Guide Plate	331D2-07	1				
C125	Hex. Socket Cap Screw	M10x20L	10				
C126	Bearing Shaft (Long)	331D2-10	1				
C127	Bearing Shaft (Short)	331D2-10-A	1				
C128	Guide Post (Rear)	331D1-08	1				
C129	Hex. Socket Cap Screw	M8x30L	2				
C130	Button Head Socket Screw	M6x8L	2				
C131	Position Bracket	331D3-22	1				
C132	Hex. Socket Cap Screw	M8x25L	2				
C133	Set Screw	M8x16L	3				
C134	Adjusting Screw	3300209	1				
C135	Adjusting Spring	3300405	1				
C136	Pin	331D2-59	1				
C137	Shaft Washer	331D2-10-C	1				
C138	Nut	M10	2				
C139	Spring Washer	M10	2				
C140	Bearing 6200	L25A5-01	2				
C141	Shaft Bush	331D2-10-B	1				



1021030-VI

**SECTION D - PARTS LIST**

Part No.	Description	Size / Stock No.	Q'ty	Part No.	Description	Size / Stock No.	Q'ty
D1	Power Switch		1	D48	Operation Mode Switch		1
D2	Coolant Overload Relay		1				
D3	Coolant Contactor		1				
D4	Hydraulic Motor Overload Relay		1				
D5	Hydraulic Motor Contactor		1				
D6	Blade Motor Overload Relay		1				
D7	Blade Motor Contactor		1				
D8	Transformer Power in Fuse		1				
D9	Transformer Power in Fuse		1				
D10	Transformer Output Fuse AC110V		1				
D11	Transformer Output Fuse AC110V		1				
D12	Transformer		1				
D13	Terminal Board		1				
D14	Relay Base		1				
D15	Relay		1				
D16	Relay Base		1				
D17	Relay		1				
D18	Relay Base		1				
D19	Relay		1				
D20	Relay Base		1				
D21	Relay		1				
D22	Relay Base		1				
D23	Relay		1				
D24	Relay Base		1				
D25	Relay		1				
D26	Brush Motor Fuse		1				
D27	Brush Motor Fuse		1				
D28	Brush Motor Fuse		1				
D29	Terminal Board		1				
D30	Power in Fuse		1				
D31	Power in Fuse		1				
D32	Power in Fuse		1				
D33	Power in Terminal Board		1				
D34	Power in Terminal Board		1				
D35	Power in Terminal Board		1				
D36	Grounding Plate		1				
D37	Power Indicator Light		1				
D38	Blade Stop Button		1				
D39	Coolant ON/OFF Switch		1				
D40	Saw Frame Decend Button		1				
D41	Saw Frame Lift Button		1				
D42	Vise Open Button		1				
D43	Vise Close Button		1				
D44	Blade Start Button		1				
D45	Hydraulic Power Button		1				
D46	Emergency Stop Button		1				
D47	Down Speed Flow Valve		1				

SECTION D

